



Listening

PLASTICS AUTOMATION

CONTENITORI DI STOCCAGGIO STORAGE BINS

CS 00 - 0 - 1 - 2 - 3



Caratteristiche tecniche - Technical specifications

Modello Model	Sonda aspirante Suction probe Ø mm	Capacità Capacity dm ³	Capacità Capacity (P.S.A. 0,7 kg/dm ³) kg	Materiale Material
CS 00 *	40	40	27	Inox
CS 0 *	40	100	70	Inox
CS 1 *	50	210	147	Inox
CS 2 *	50	315	220.5	Inox
CS 3 *	50	670	469	Inox

* Dotati di sonda d'aspirazione regolabile / Integrated by adjustable suction probe

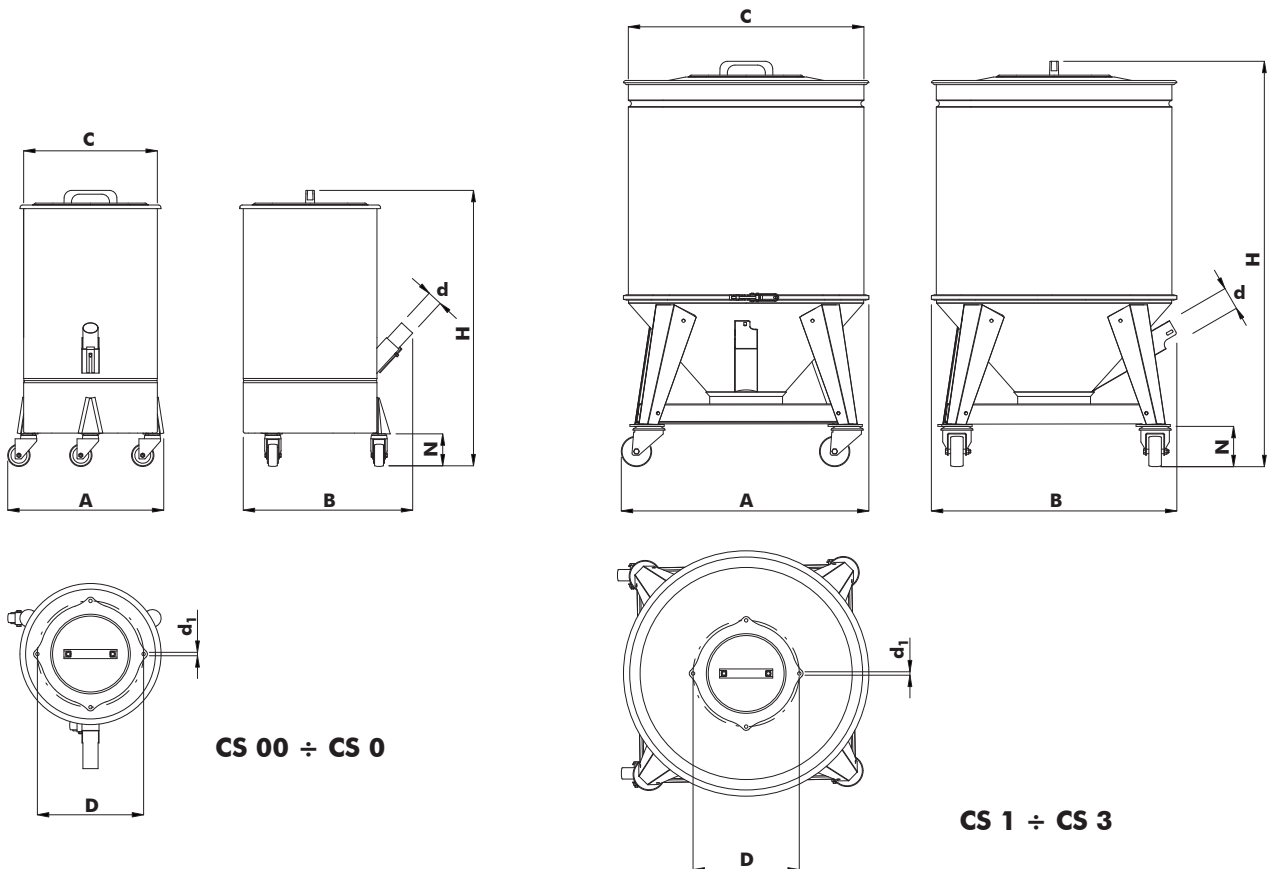


Listening

PLASTICS AUTOMATION

CONTENITORI DI STOCCAGGIO STORAGE BINS

CS 00 - 0 - 1 - 2 - 3



Dimensioni - Dimensions

Modello Model	A	B	H	d	C	D	d ₁	N	Peso Weight
	mm	mm	mm	Ø mm	Ø mm	Ø mm	Ø mm	mm	kg
CS 00	411	447	728	40	352	280	9	86	10.5
CS 0	505	557	866	40	454	280	9	86	14
CS 1	652	647	1068	50	621	280	9	106	28.5
CS 2	781	781	1178	50	751	280	9	106	36
CS 3	967	967	1558	50	944	280	9	106	57



STORAGE BINS

CS 3 - 4



Technical features

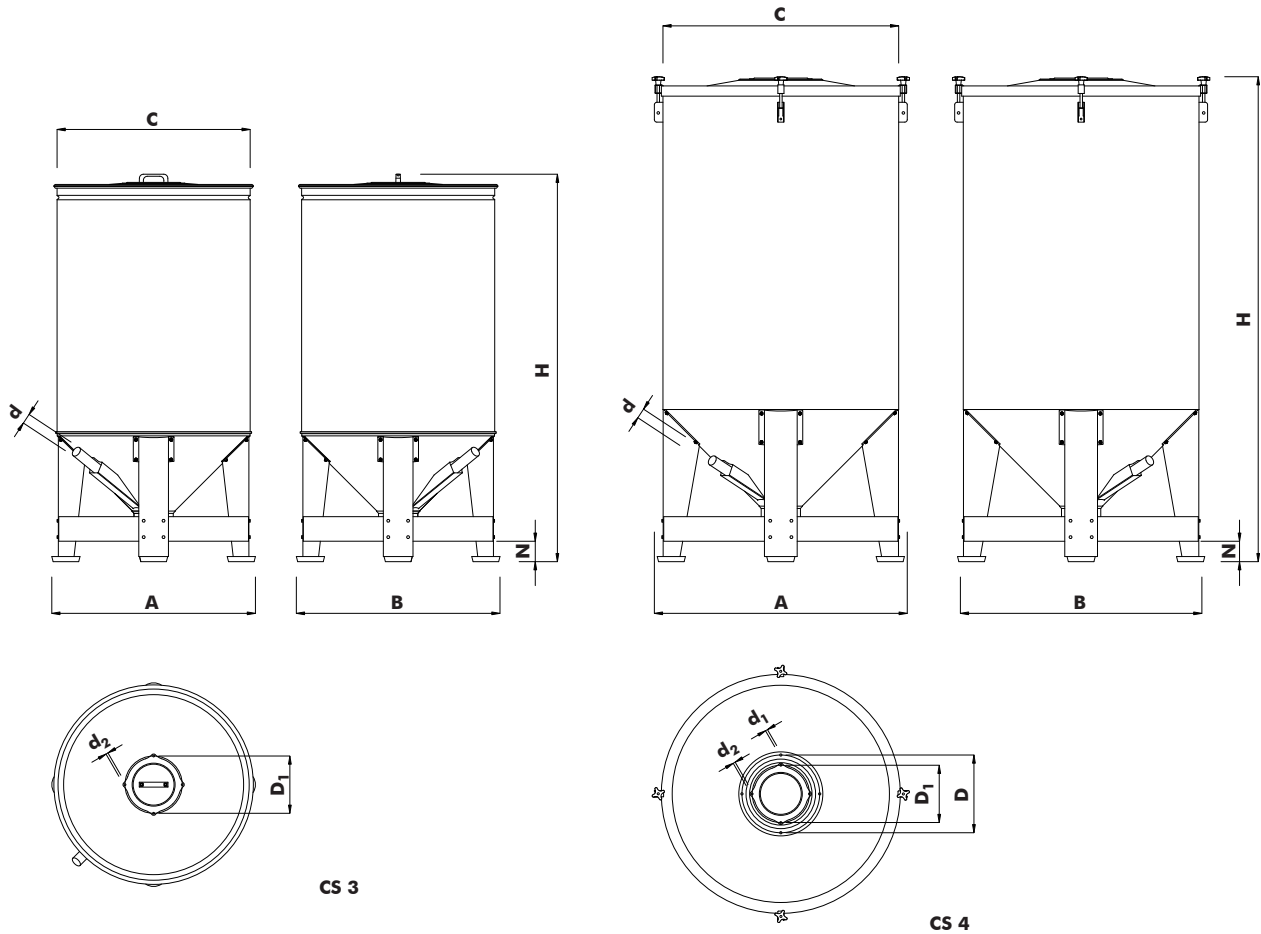
Model	Capacity						Suction probe		Material
	Volume		Weight		Sacks number		Ø mm	Ø in	
	dmc	cft	kg Bulk density 0,65 kg/dmc	lb Bulk density 40,6 lb/cft	25 kg sacks	55 lb sacks			
CS 3 *	960	33,9	600	1333	24	24	50	1,97	Stainless steel
CS 4 *	1800	63,6	1200	2666	48	48	50	1,97	Stainless steel

* Integrated by adjustable suction probe



STORAGE BINS

CS 3 - 4



Dimensions

Model	A		B		H		d		C		D		d ₁		D ₁		d ₂		N		Weight	
	mm	in	mm	in	mm	in	Ø mm	Ø in	Ø mm	Ø in	Ø mm	Ø in	Ø mm	Ø mm	Ø in	Ø mm	mm	in	kg	lb		
CS 3	1004	39,52	1004	39,52	1894	74,57	50	1,97	944	37,16	-	-	-	280	11,02	4 x M8	100	3,94	85	187		
CS 4	1257	49,49	1209	47,6	2371	93,35	50	1,97	1152	45,35	380	14,96	4 x M8	280	11,02	4 x M8	100	3,94	160	352		



STORAGE BIN FOR POWDER

CSP



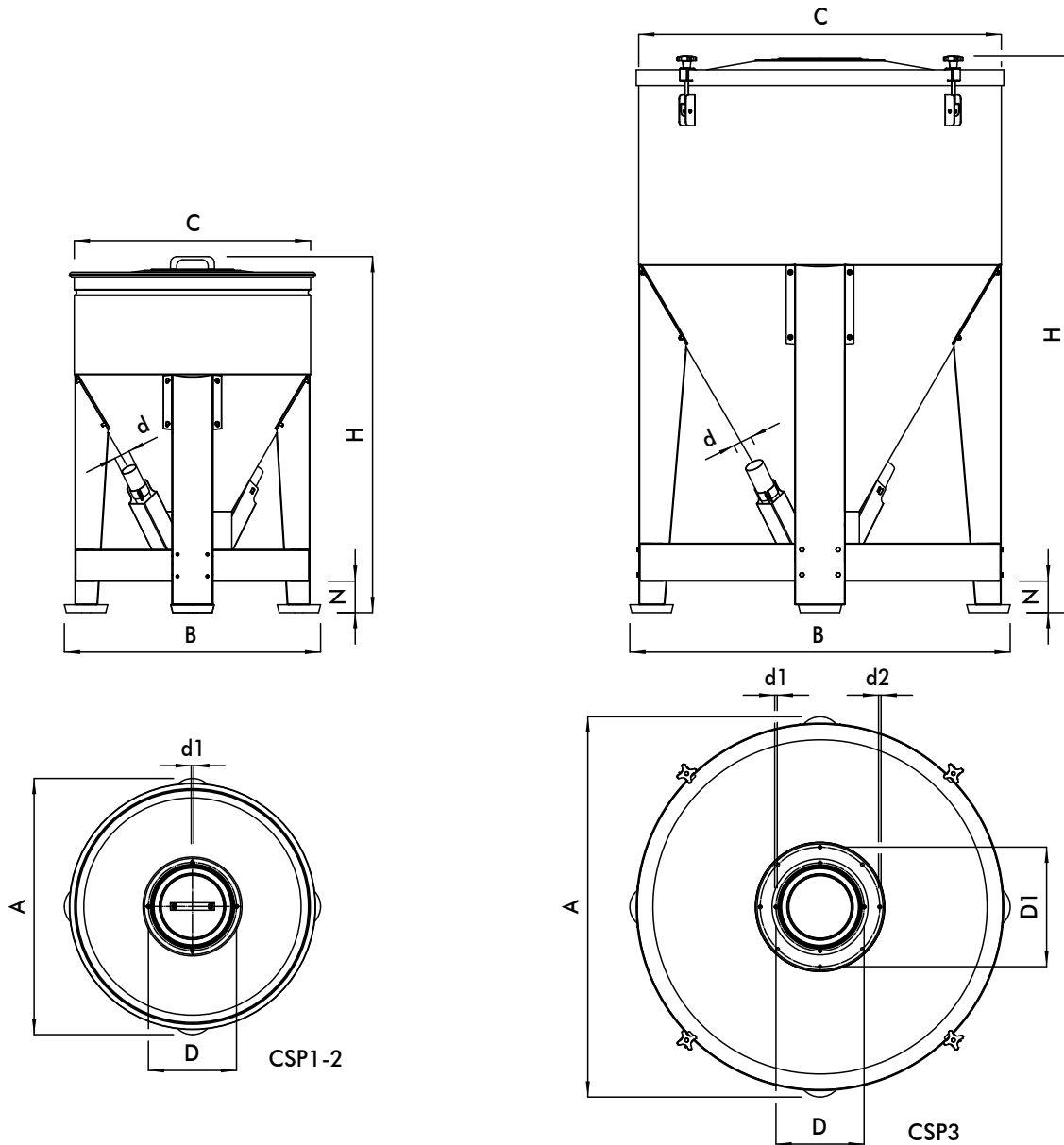
Technical features

Model	Capacity						Suction Probe		Material
	Volume		Weight		Sacks number				
	dmc	cft	kg	lb	25 kg sacks	55 lb sacks	Ø mm	Ø in	
CSP1	240	8,46	156	343,47	6	6	40/50/60	1,57/1,96/2,36	Stainless steel
CSP2	480	16,93	312	687,35	12	12	40/50/60	1,57/1,96/2,36	Stainless steel
CSP3	960	33,86	624	1374,71	24	24	40/50/60	1,57/1,96/2,36	Stainless steel



STORAGE BIN FOR POWDER

CSP



Dimensions

Model	A		B		C		H		D		d		d1		D1		d2		N		Weight	
	mm	in	mm	in	Ø mm	Ø in	mm	in	Ø mm	Ø in	Ø mm	Ø in	Ø mm	Ø mm	Ø in	Ø mm	mm	in	kg	lb		
CSP1	814	32,04	814	32,04	751	29,56	1131	44,52	280	11,02	40/50/60	1,57/1,96/2,36	4 x M8	/	/	/	100	3,94	48	105,6		
CSP2	1005	39,56	1005	39,56	944	37,16	1402	55,19	280	11,02	40/50/60	1,57/1,96/2,36	4 x M8	/	/	/	100	3,94	80	176		
CSP3	1209	47,60	1209	47,60	1153	45,39	1770	69,68	280	11,02	40/50/60	1,57/1,96/2,36	4 x M8	380	14,96	4 x M8	100	3,94	120	264		